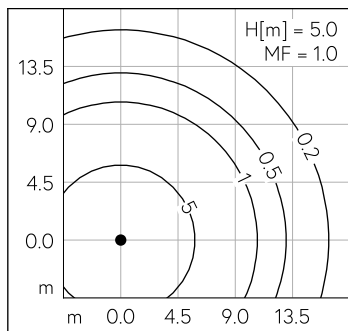
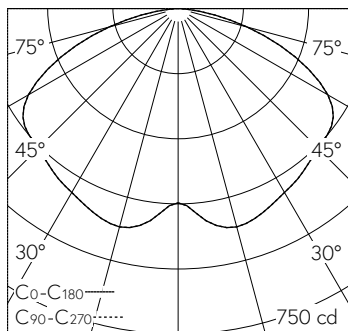


LED 4000 K 18.5 W 1999 lm-h 142° H = 4 m / CIE Flux 39 73 95 100 100 / A30 selon ...

LED 4000 K 18.5 W 1999 lm-h 142° H = 4.5 m / CIE Flux 39 73 95 100 100 / A30 selo...



LED 4000 K 18.5 W 1999 lm-h 142° H = 5 m / CIE Flux 39 73 95 100 100 / A30 selon ...