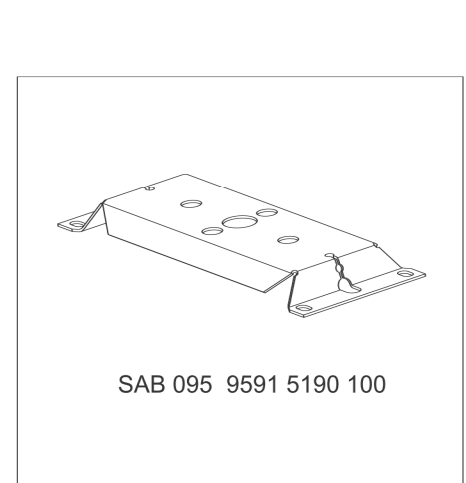
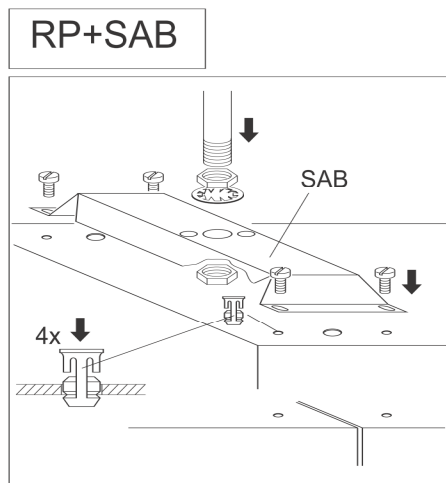
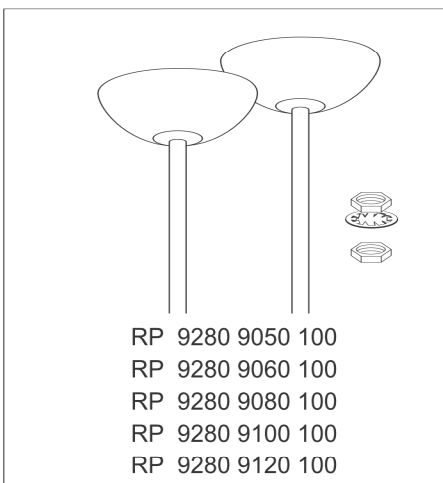
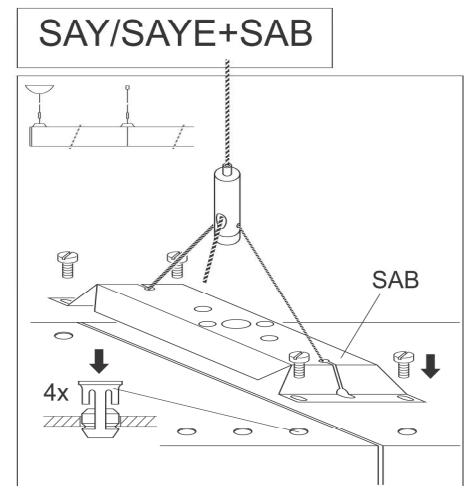
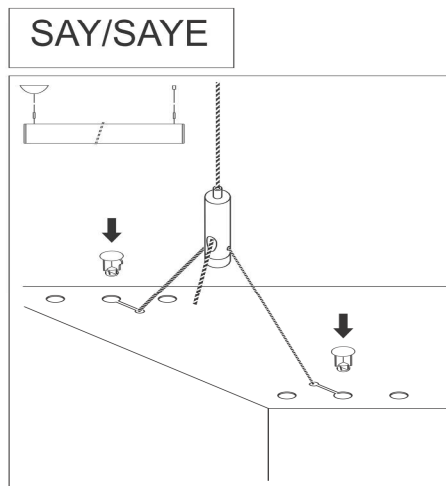
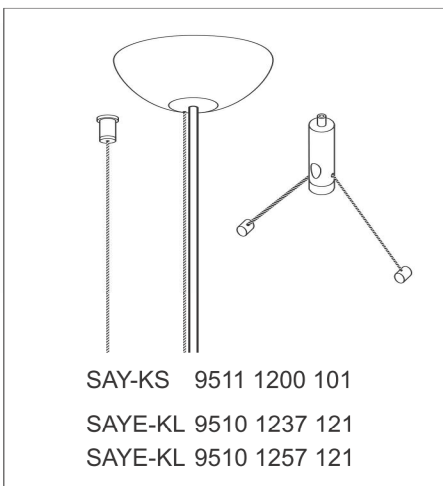
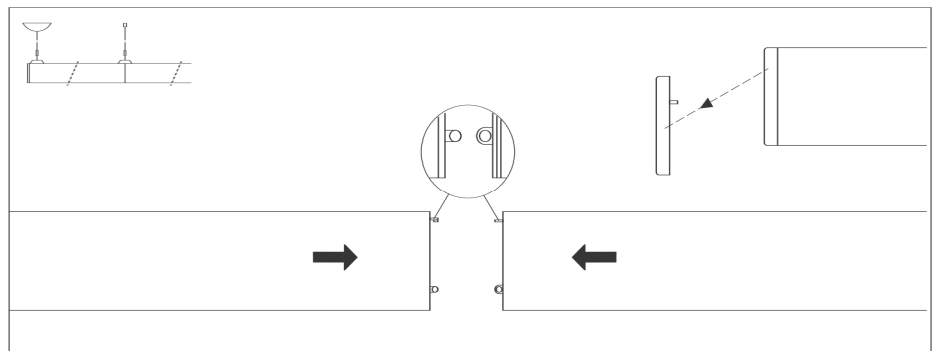


RSAXHC RSAGHC

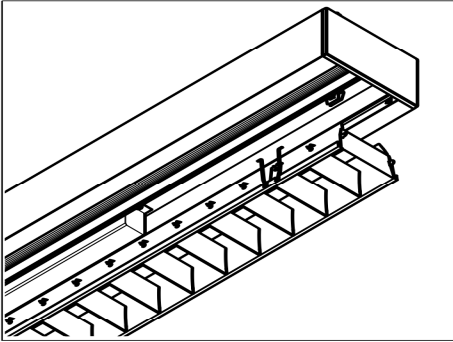
6524



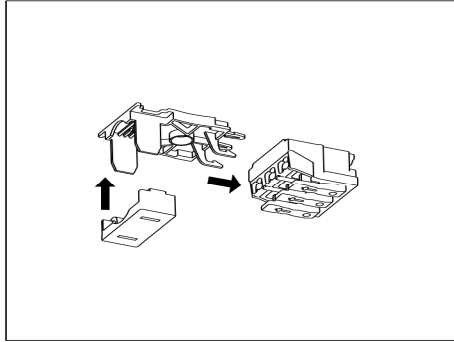


RSAXHC

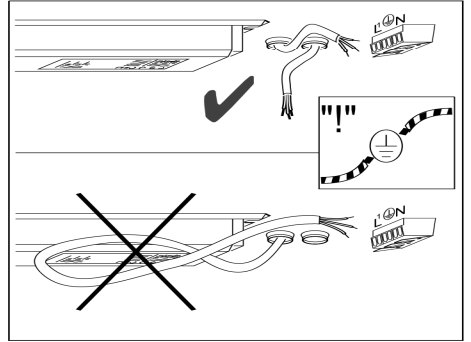
1



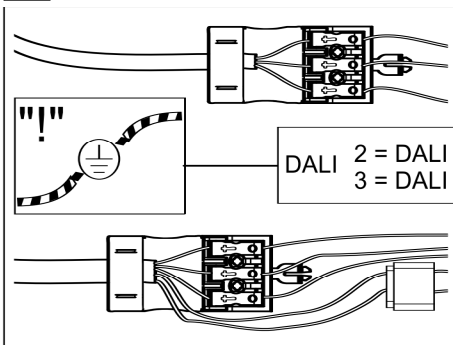
2



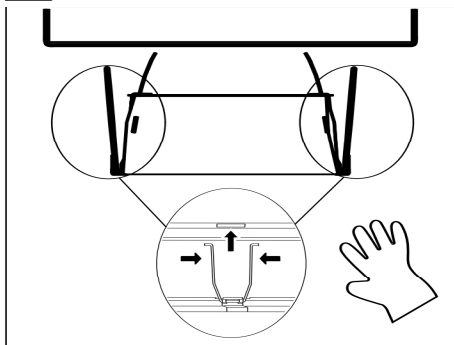
3



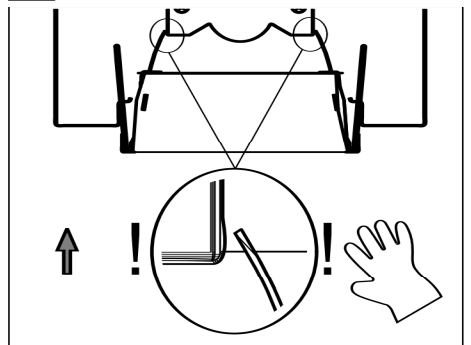
4



5

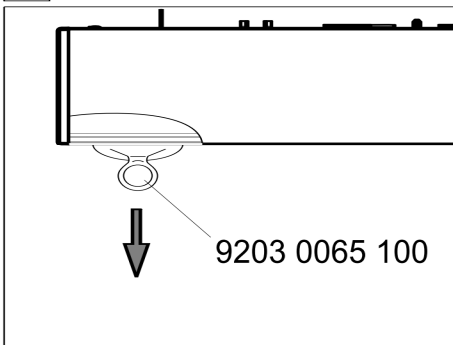


6

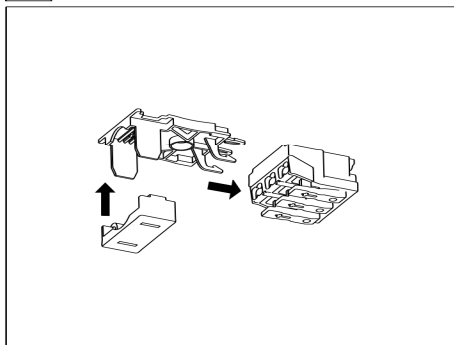


RSAGHC

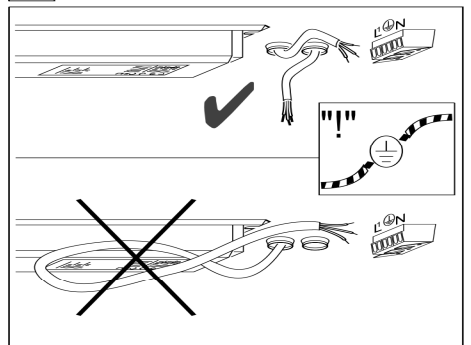
1



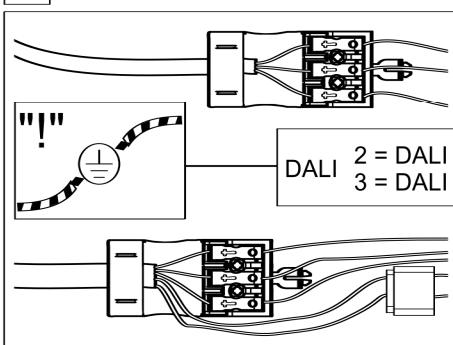
2



3



4



5

